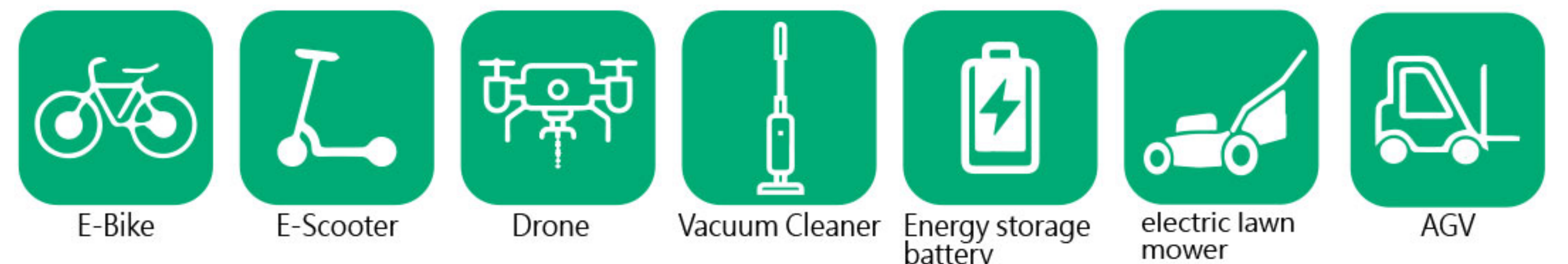
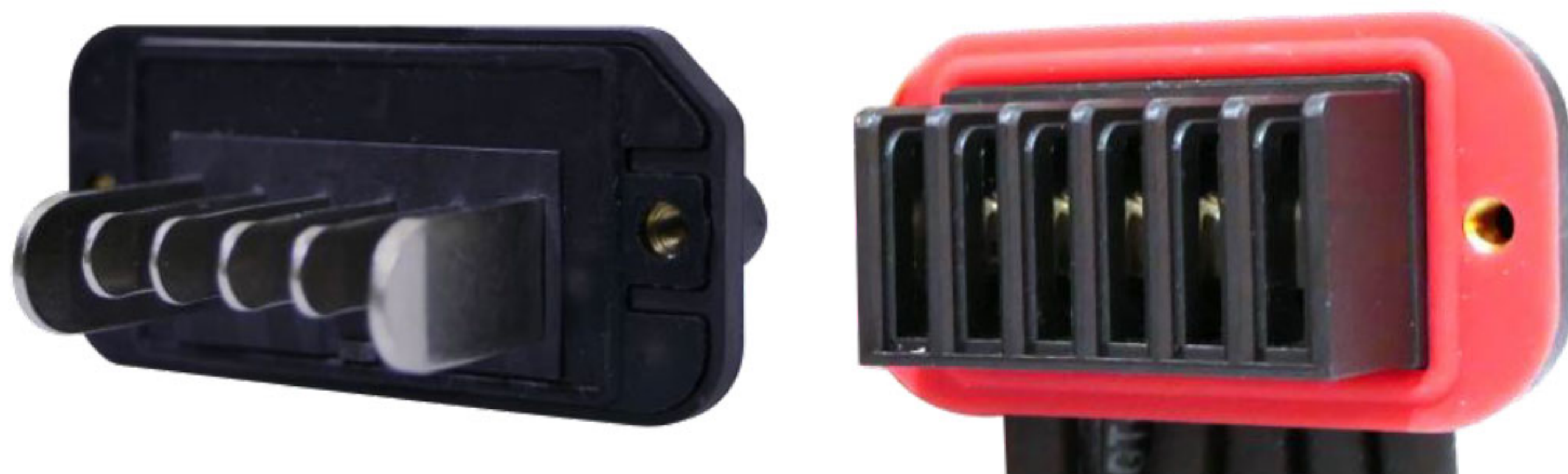


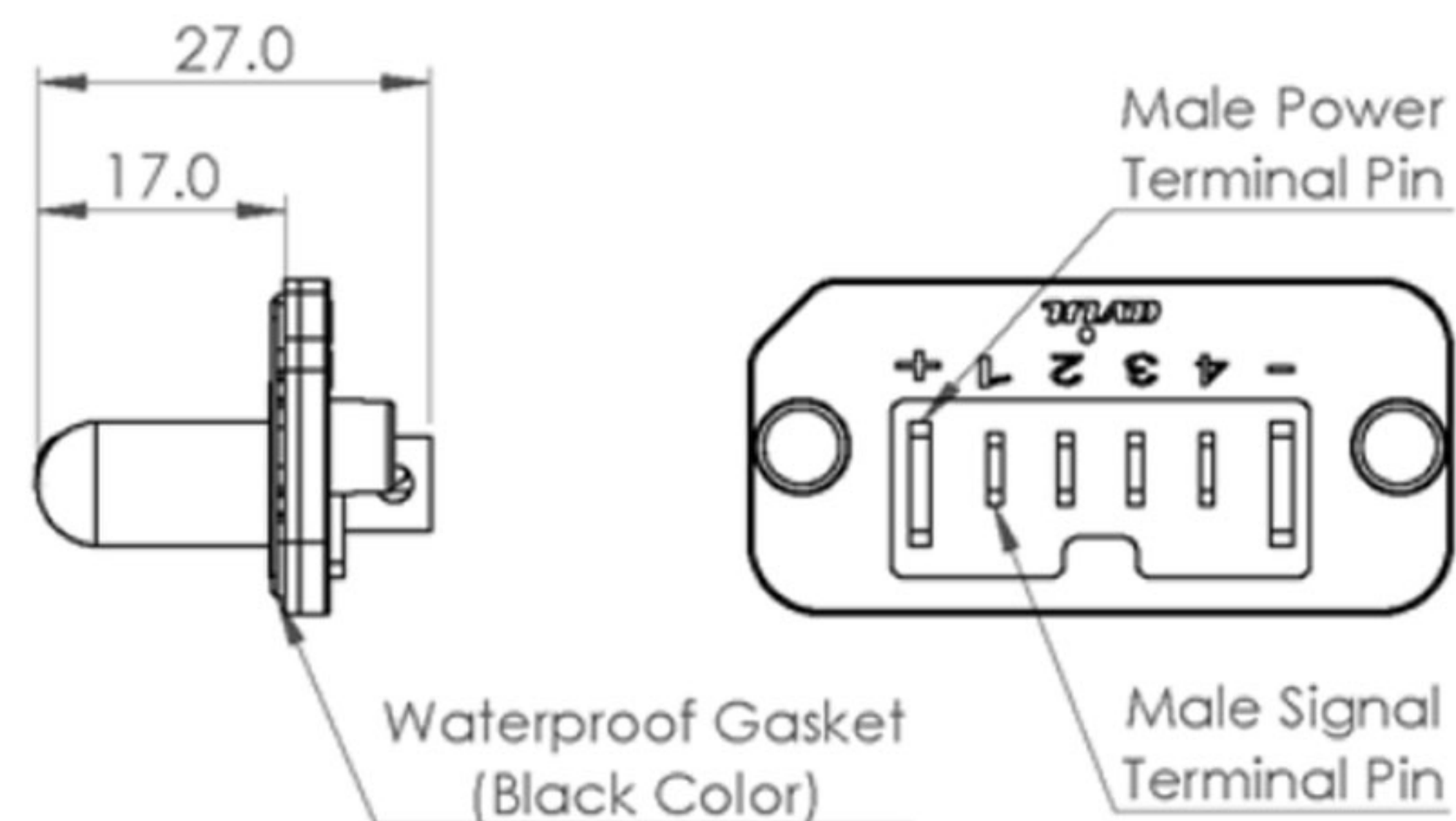
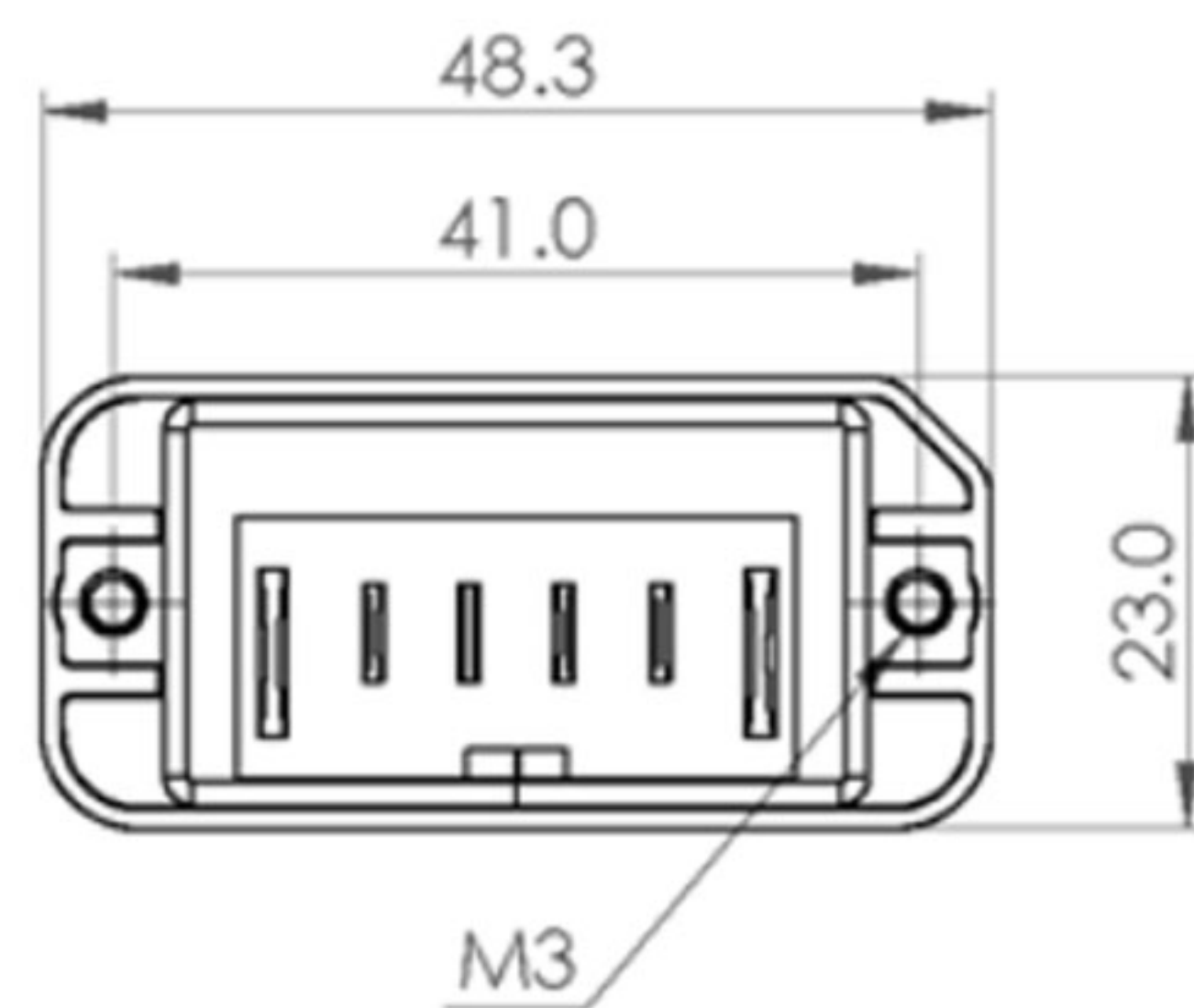
A3 Waterproof connector

Applications:

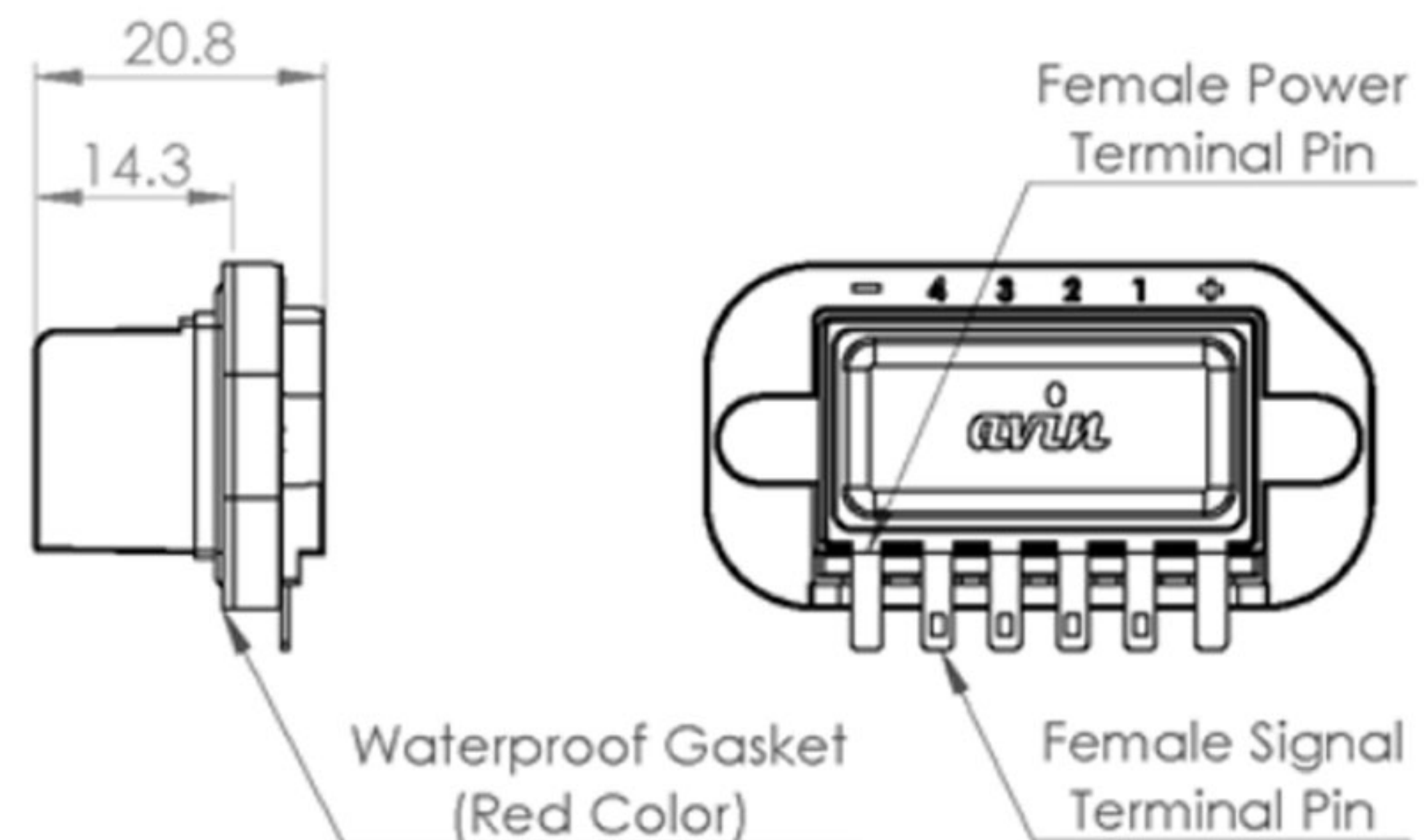
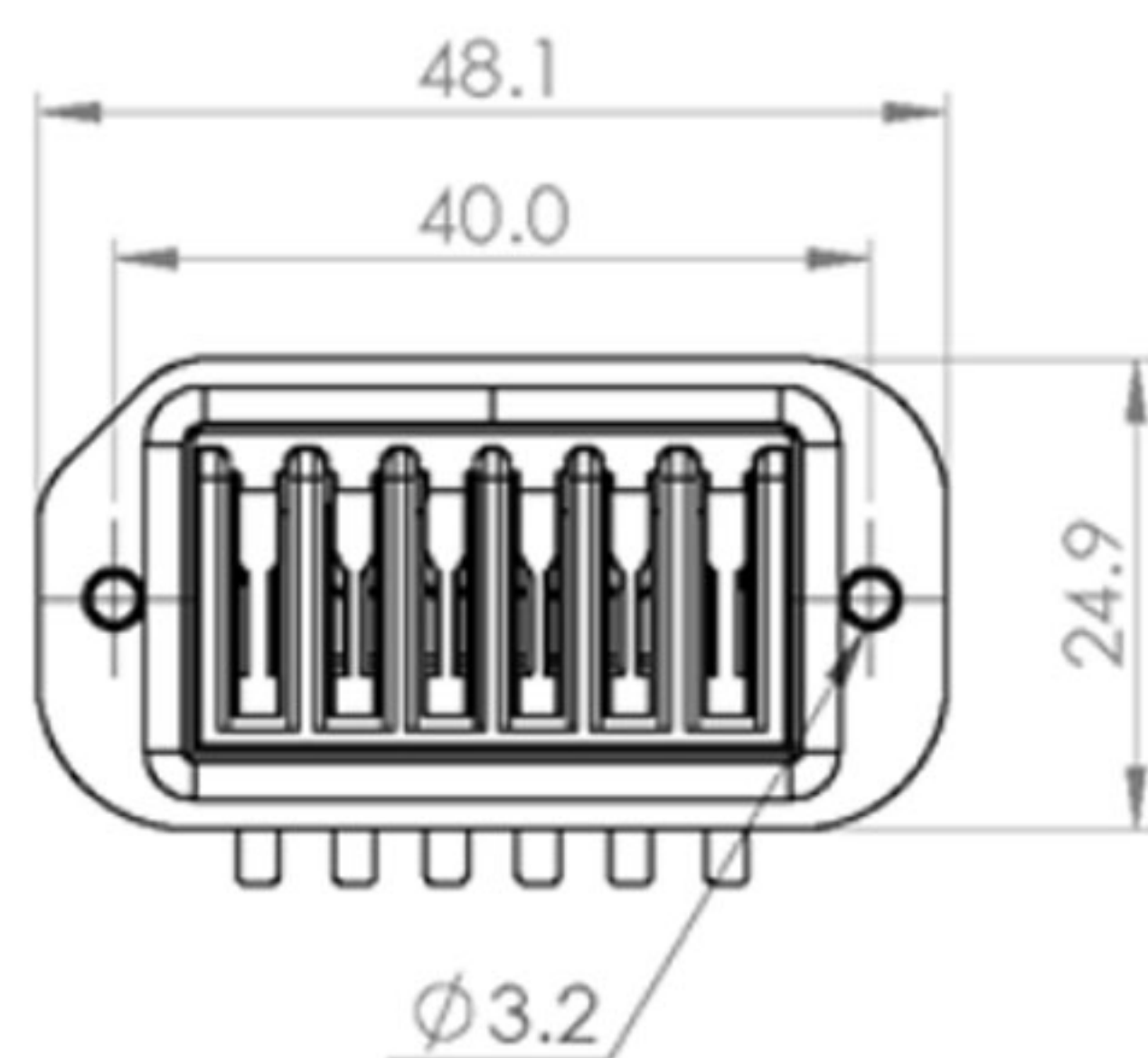
- E-Bike
- E-Scooter
- Drone
- Vacuum Cleaner
- Energy storage battery
- electric lawn mower
- AGV



Male Connector



Female Connector



A3 Waterproof connector

Features	
Terminal	2 PWR. pin & 4 SIG. pin
	PWR. Terminal 30A
Current withstand	(Instantaneous peak current 40A)
	SIG. Terminal 10A
IP rating	IP66
Material of housing	PBT+GF15% UL94 V0

Wire Information	
Wire Spec. for Standard Sample	
Wire Gauge	
Power Terminal	14AWG to 12AWG
Signal Terminal	24AWG to 22AWG